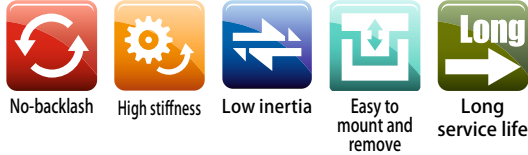


Oldham Couplings

KSK



Max. rated torque [N·m]	7
Bore ranges [mm]	φ 3 ~ 16
Operating temperature [°C]	-30 ~ 80
Drive	Servomotor, stepper motor
Applications	Positioning systems, conveyors, spindle drives, actuator drives, linear drives, distributed drives

Backlash free Couplings with High Torsional Stiffness



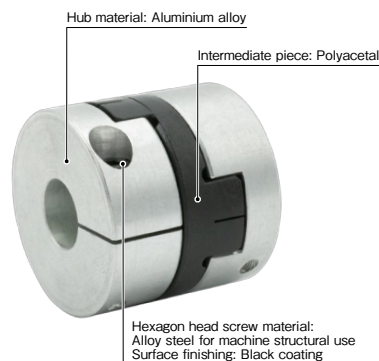
The Oldham coupling is the solution for installation situations where space is at a premium. This three-part plug-in coupling grew out of an idea to develop a backlash-free Oldham coupling. It is now an indispensable part of all servo and positioning drives. The KSK, which offers precision, a lightweight design and a high level of torsional stiffness, offers an alternative solution to elastomer couplings in the case of high-precision systems.

Structure and Materials

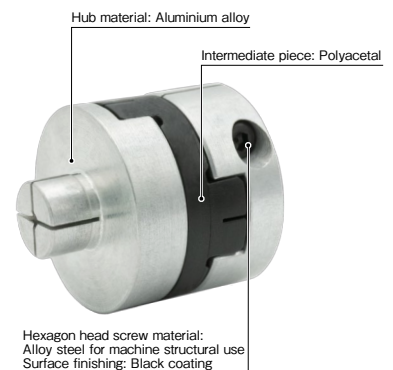
■ KSK AA Set screw



■ KSK BB Clamping hub



■ KSK BC Expanding shaft



COUPLINGS

ELECTROMAGNETIC
CLUTCHES & BRAKES

TORQUE LIMITERS

SERIES

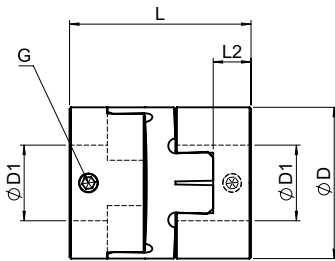
Metal Couplings	Metal Disc Couplings SERVOFLEX
	Metal Coil Spring Couplings BAUMANNFLEX
	Cardan Couplings PARAFLEX
Sliced Couplings	ASK
	Rigid Couplings STK
Rubber and Plastic Couplings	Jaw Couplings MIKI PULLEY STARFLEX
	Jaw Couplings SPRFLEX
	Dual Rubber Couplings STEPFLEX
	Oldham Couplings KSK

Specifications

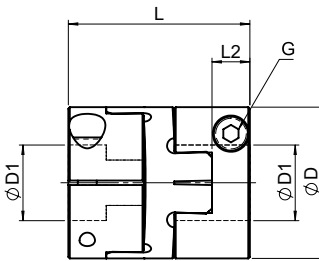
Model	Rated torque [N·m]	Misalignment			Max. rotation speed [min ⁻¹]	Torsional stiffness [N·m/rad]	Moment of inertia [kg·m ²]	Mass [kg]
		Parallel [mm]	Angular [°]	Axial [mm]				
KSK 2 AA	1.5	0.5	0.5	0.2	3000	33	0.028 × 10 ⁻⁶	0.014
KSK 3 AA	3	0.5	0.5	0.3	3000	18	0.079 × 10 ⁻⁶	0.025
KSK 4 AA	7	0.5	0.5	0.3	3000	91	0.184 × 10 ⁻⁶	0.04
KSK 2 BB	1.5	0.5	0.5	0.2	3000	33	0.028 × 10 ⁻⁶	0.014
KSK 3 BB	3	0.5	0.5	0.3	3000	18	0.079 × 10 ⁻⁶	0.025
KSK 4 BB	7	0.5	0.5	0.3	3000	91	0.184 × 10 ⁻⁶	0.04
KSK 2 BC	1.5	0.5	0.5	0.2	3000	33	0.028 × 10 ⁻⁶	0.014
KSK 3 BC	3	0.5	0.5	0.3	3000	18	0.079 × 10 ⁻⁶	0.025
KSK 4 BC	7	0.5	0.5	0.3	3000	91	0.184 × 10 ⁻⁶	0.04

Dimensions

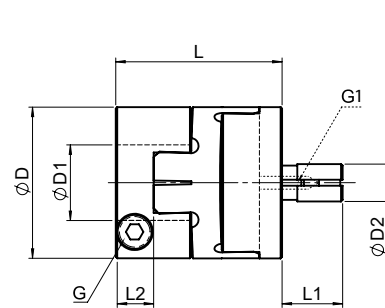
■ KSK-AA



■ KSK-BB



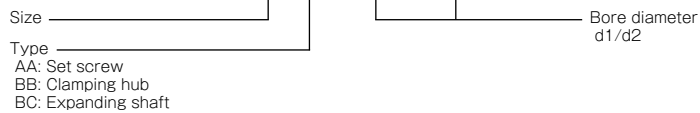
■ KSK-BC



Model	D1 Min.	D1 Max.	D2 Min.	D2 Max.	D	L	L1	L2	G	G1	Unit [mm]
											Tightening torque of screws G [N·m]
KSK 2 AA	3	10	-	-	20	24	-	5	4-M3	-	0.3
KSK 3 AA	3	14	-	-	25	27.5	-	6	4-M3	-	0.3
KSK 4 AA	3	16	-	-	30	27	-	6	4-M3	-	0.3
KSK 2 BB	3	8	-	-	20	24	-	5	2-M2.5	-	0.2
KSK 3 BB	3	10	-	-	25	27.5	-	6	2-M3	-	0.3
KSK 4 BB	3	14	-	-	30	27	-	6	2-M3	-	0.3
KSK 2 BC	3	8	5	10	20	22	8	5	1-M2.5	1-M4	0.2
KSK 3 BC	3	10	6	14	25	25.5	8	6	1-M3	1-M4	0.3
KSK 4 BC	3	14	8	14	30	24	8	6	1-M3	1-M4	0.3

How to Place an Order

KSK 2 AA 9H7/9H7



MODELS

KSK